

Genuine Spare Parts

Catalogo delle parti di ricambio
Spare parts catalogue
Catalogue des pieces de rechange
Ersatzteilkatalog

2010

- Use GLOBAL GARDEN PRODUCT Genuine Spare Parts specified in the parts list for repair and/or replacement.
- The contents described in the parts list may change due to improvement.
- The drawings of the spare parts are only indicative and might not represent the part in question exactly.
- The indications "right" - "left" - "front" - "rear" refer to the position of the operator when using the machine.
- When placing orders of parts for repair and/or replacement, make sure that the illustrated parts list is the one applying to the machine's year of manufacture, as shown on the identification plate attached to the machine.

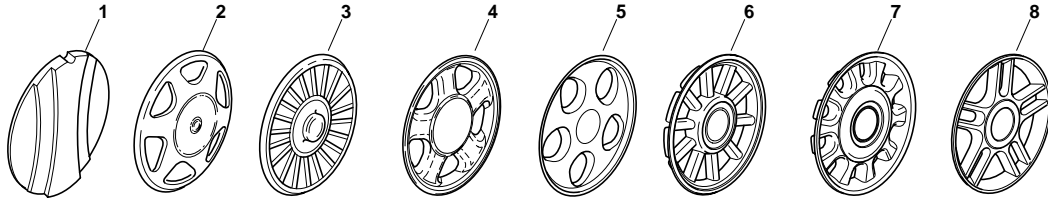
COPYRIGHT by GLOBAL GARDEN PRODUCTS

All rights reserved. No part of this material may be reproduced or transmitted, in any form or by any means, electronic or mechanical, including photocopying, recording or by any information storage and retrieval system, without permission in writing from GLOBAL GARDEN PRODUCTS.



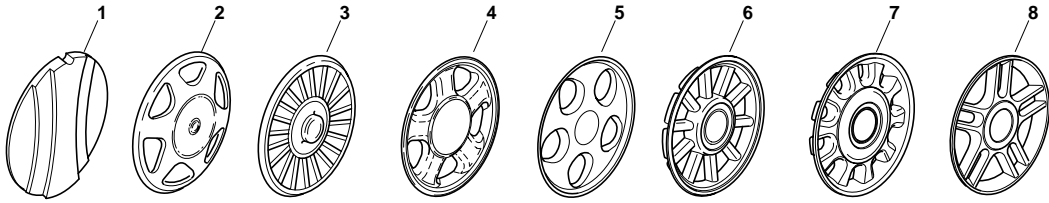
GLOBAL GARDEN PRODUCTS

ENCLOSURE 1



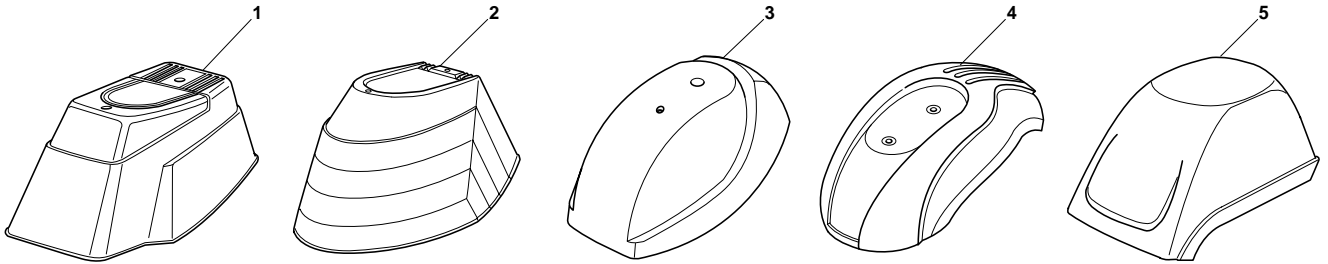
POS.	CODE	Q.TY	DESCRIZIONE	DESCRIPTION	DESCRIPTION	BESCHREIBUNG	REMARKS
1	22110252/1		Coprimozzo Bianco	Hub Cap White	Couvre-Moyeu	Radkappe Weiße	
1	22110254/1		Coprimozzo Giallo	Hub Cap Yellow	Couvre-Moyeu	Radkappe Gelbe	
1	22110255/1		Coprimozzo Rosso	Hub Cap Red	Couvre-Moyeu	Radkappe Rote	
2	22110344/0		Coprimozzo Bianco	Hub Cap White	Couvre-Moyeu	Radkappe Weiße	
2	22110395/0		Coprimozzo Grigio	Hub Cap Grey	Couvre-Moyeu Gris	Radkappe Grau	
3	22110347/0		Coprimozzo Grigio	Hub Cap Grey	Couvre-Moyeu Gris	Radkappe Grau	
4	22110381/0		Coprimozzo Grigio	Hub Cap Grey	Couvre-Moyeu Gris	Radkappe Grau	
5	22110416/0		Coprimozzo Grigio	Hub Cap Grey	Couvre-Moyeu Gris	Radkappe Grau	
6	22110495/0		Coprimozzo Grigio	Hub Cap Grey	Couvre-Moyeu Gris	Radkappe Grau	
7	22110493/0		Coprimozzo Grigio	Hub Cap Grey	Couvre-Moyeu Gris	Radkappe Grau	
8	22110491/0		Coprimozzo Grigio	Hub Cap Grey	Couvre-Moyeu Gris	Radkappe Grau	

ENCLOSURE 2



POS.	CODE	Q.TY	DESCRIZIONE	DESCRIPTION	DESCRIPTION	BESCHREIBUNG	REMARKS
1	22110251/0		Coprismozzo Bianco	Hub Cap White	Couvre-Moyeu	Radkappe Weiße	
1	22110253/0		Coprismozzo Giallo	Hub Cap Yellow	Couvre-Moyeu	Radkappe Gelbe	
1	22110256/0		Coprismozzo Rosso	Hub Cap Red	Couvre-Moyeu	Radkappe Rote	
2	22110313/0		Coprismozzo Bianco	Hub Cap White	Couvre-Moyeu	Radkappe Weiße	
2	22110314/0		Coprismozzo Grigio	Hub Cap Grey	Couvre-Moyeu Gris	Radkappe Grau	
3	22110348/0		Coprismozzo Grigio	Hub Cap Grey	Couvre-Moyeu Gris	Radkappe Grau	
4	22110382/0		Coprismozzo Grigio	Hub Cap Grey	Couvre-Moyeu Gris	Radkappe Grau	
5	22110417/0		Coprismozzo Grigio	Hub Cap Grey	Couvre-Moyeu Gris	Radkappe Grau	
6	22110496/0		Coprismozzo Grigio	Hub Cap Grey	Couvre-Moyeu Gris	Radkappe Grau	
7	22110494/0		Coprismozzo Grigio	Hub Cap Grey	Couvre-Moyeu Gris	Radkappe Grau	
8	22110492/0		Coprismozzo Grigio	Hub Cap Grey	Couvre-Moyeu Gris	Radkappe Grau	

ENCLOSURE 6

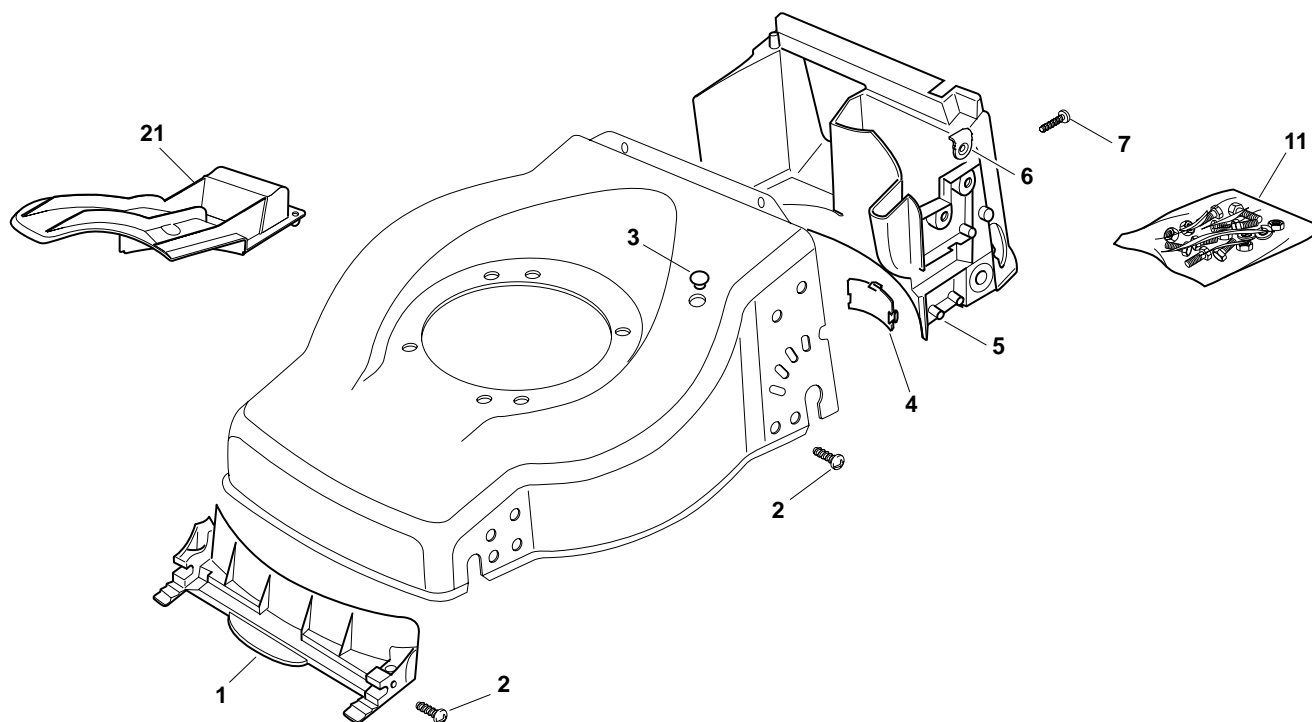
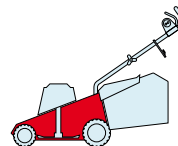


POS.	CODE	Q.TY	DESCRIZIONE	DESCRIPTION	DESCRIPTION	BESCHREIBUNG	REMARKS
1	22055045/1	1	Capottina	Cover	Capot	Haube	
2	22055033/1	1	Capottina	Cover	Capot	Haube	
3	22055058/0	1	Capottina	Cover	Capot	Haube	
4	22055065/0	1	Capottina	Cover	Capot	Haube	
5	22055053/1	1	Capottina	Cover	Capot	Haube	

ES

ESL

460 TR

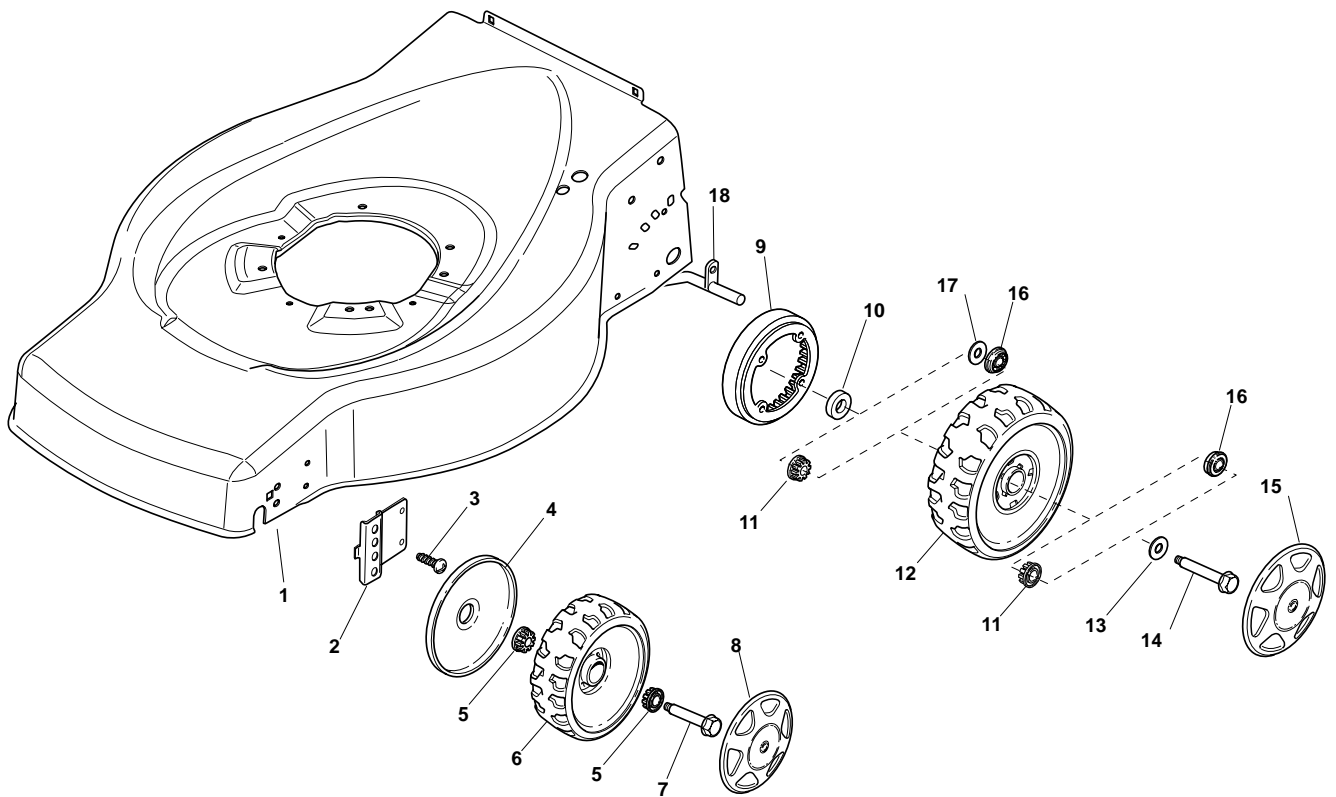
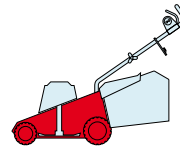


POS.	CODE	Q.TY	DESCRIZIONE	DESCRIPTION	DESCRIPTION	BESCHREIBUNG	REMARKS
1	22108271/0	1	Convogl. Anteriore	Front Conveyor Assy	Ens. Convoyeur Avant	Hinterleitblechvorder	
2	12728686/0	6	Vite	Screw	Vis	Schraube	
3	322820077/0	1	Tappo	Cap	Bouchon	Gummistopfen	
4	22109532/0	1	Coperchio Trasmissione	Cover	Couvercle	Deckel	
5	22108272/2	1	Convogl. Posteriore	Rear Conveyor Assy	Ens. Convoyeur Post.	Hinterleitblechsatz	
6	322545189/0	4	Piastrina	Plate	Plaquette	Plättchen	
7	12728686/0	2	Vite	Screw	Vis	Schraube	
8	22785136/1	1	Supporto	Support	Support	Halter	
11	81008649/0	1	Dotazione Viteria	Outfit, Screws	Dotation Visserie	Satz, Schrauben	
21	22140226/0	1	Deflettore	Deflector	Deflecteur	Deflektor	

ES

ESL

460 TR

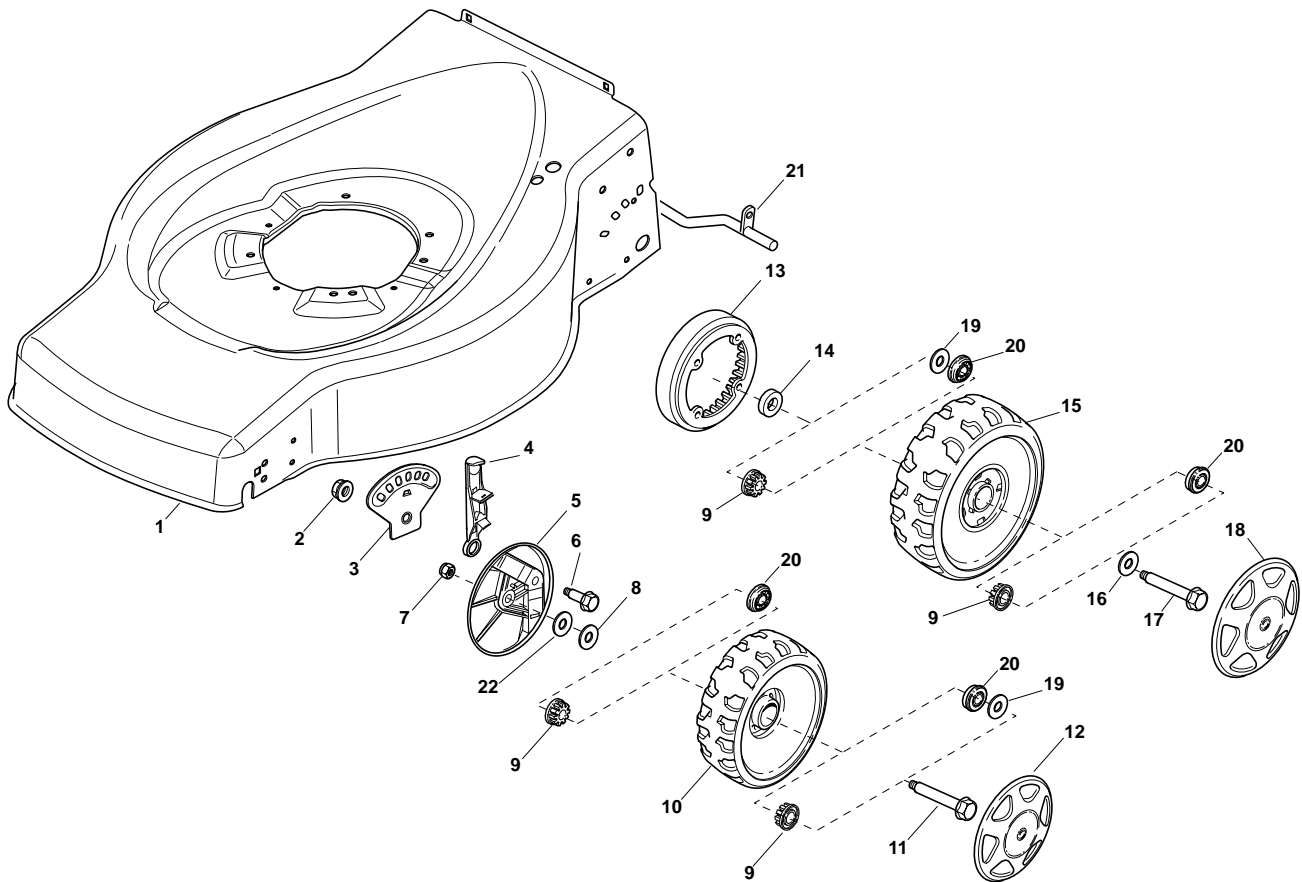
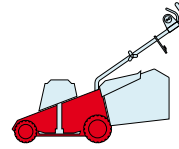


POS.	CODE	Q.TY	DESCRIZIONE	DESCRIPTION	DESCRIPTION	BESCHREIBUNG	REMARKS
1	81002652/0	1	Chassis Rosso	Deck Red	Châssis Rouge	Gehäuse Rot	
2	22551523/0	2	Piastra Anteriore	Plate, Front	Plaque Antérieure	Platte, Vorder	
3	12728686/0	4	Vite	Screw	Vis	Schraube	
4	22600095/0	2	Protezione	Protection	Protection	Schutz	
5	22034515/1	4	Bussola	Bush	Douille	Buchse	
6	22686091/1	2	Ruota Ø 165	Wheel Ø 165	Roue Ø 165	Rad Ø 165	
7	22524340/0	2	Perno	Pin	Pivot	Bolzen	
8	-	2	Coprismozzo	Hub Cap	Couvre-Moyeu	Radkappe	(See Enclosure 1)
9	22120109/0	2	Ruota Dentata	Sprocket	Couronne	Zahnkettenrad	
10	22170622/0	2	Distanziale	Spacer	Entretoise	Distanzring	
11	22034508/0	4	Bussola	Bush	Douille	Buchse	
12	22686093/0	2	Ruota Ø 190	Wheel Ø 190	Roue Ø190	Rad Ø 190	
13	12523050/0	2	Rosetta	Washer	Rondelle	Scheibe	
14	12735599/0	2	Vite	Screw	Vis	Schraube	
15	-	2	Coprismozzo	Hub Cap	Couvre-Moyeu	Radkappe	(See Enclosure 2)
16	22122200/0	4	Cuscinetto	Bearing	Coussinet	Lager	
17	22675100/0	2	Rosetta	Washer	Rondelle	Scheibe	
18	22033393/0	1	Asse Ruote Posteriori	Axle, Rear Wheels	Axe Roues Arriere	Achse, Hinterrad	

ES

ESL

460 TR

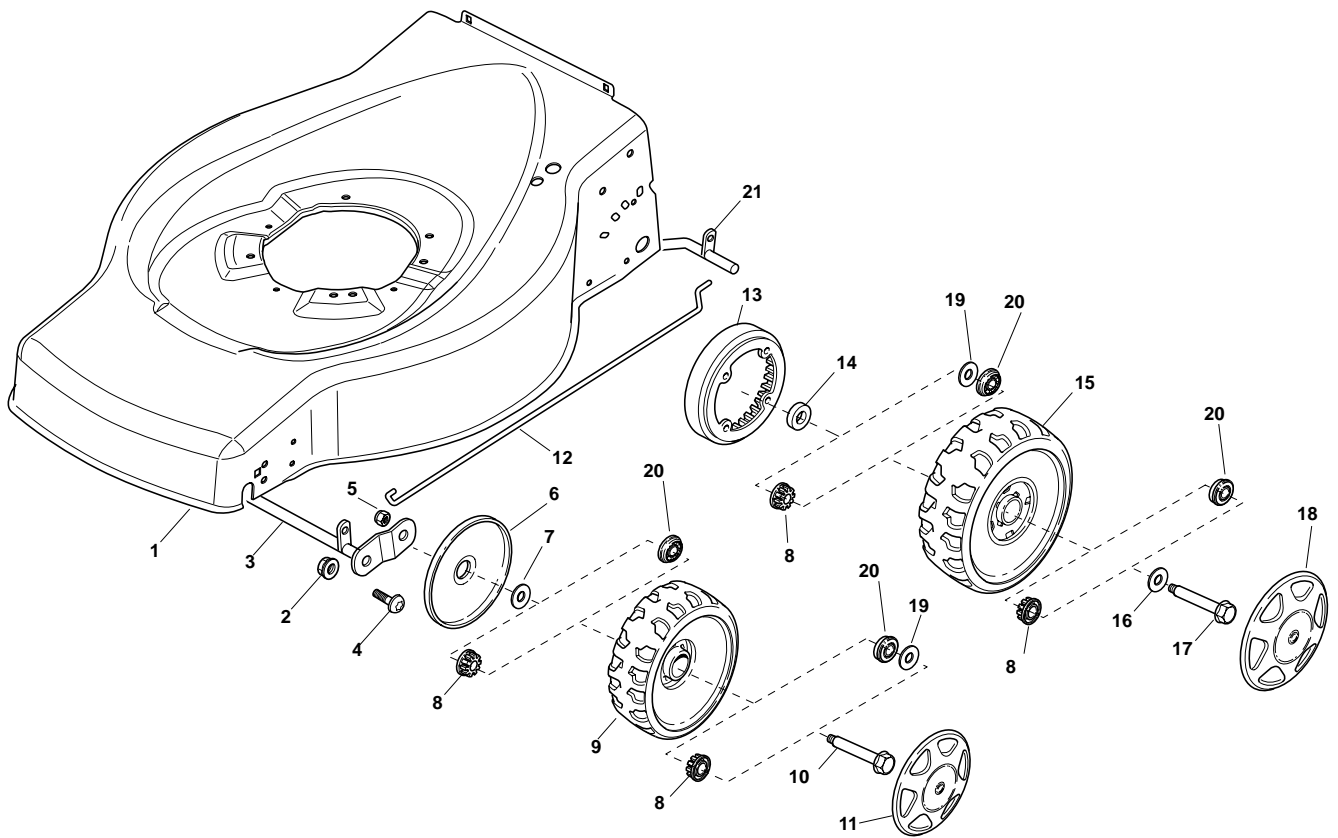
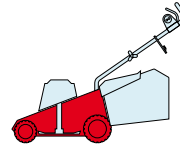


POS.	CODE	Q.TY	DESCRIZIONE	DESCRIPTION	DESCRIPTION	BESCHREIBUNG	REMARKS
1	81002538/0	1	Chassis Rosso	Deck Red	Châssis Rouge	Gehäuse Rot	
2	22131750/0	2	Dado	Nut	Ecrou	Mutter	
3	22735557/0	2	Settore Di Regolazione	Sector, Height Adjustment	Secteur Reglage	Sektor, Höheverstellung	
4	81003306/0	2	Leva Regolazione Altezza	Lever, Height Adjustment	Levier Reglage Hauteur	Hebel, Höheverstellung	
5	322600170/0	2	Prot. Ruote	Protection, Wheel	Protection Roue	Schütz, Räder	
6	22524324/0	2	Perno	Pin	Pivot	Bolzen	
7	12155000/0	2	Dado	Nut	Ecrou	Mutter	
8	25670011/0	2	Rosetta	Washer	Rondelle	Scheibe	
9	22034508/0	8	Bussola	Bush	Douille	Buchse	
10	22686091/1	2	Ruota Ø 165	Wheel Ø 165	Roue Ø 165	Rad Ø 165	
11	22524341/0	2	Perno	Pin	Pivot	Bolzen	
12	-	2	Coprimozzo	Hub Cap	Couvre-Moyeu	Radkappe	(See Enclosure 1)
13	22120109/0	2	Ruota Dentata	Sprocket	Couronne	Zahnkettenrad	
14	22170622/0	2	Distanziale	Spacer	Entretoise	Distanzring	
15	22686093/0	2	Ruota Ø 190	Wheel Ø 190	Roue Ø190	Rad Ø 190	
16	12523050/0	2	Rosetta	Washer	Rondelle	Scheibe	
17	12735599/0	2	Vite	Screw	Vis	Schraube	
18	-	2	Coprimozzo	Hub Cap	Couvre-Moyeu	Radkappe	(See Enclosure 2)
19	22675100/0	4	Rosetta	Washer	Rondelle	Scheibe	
20	22122200/0	8	Cuscinetto	Bearing	Coussinet	Lager	
21	22033393/0	1	Asse Ruote Posteriori	Axle, Rear Wheels	Axe Roues Arriere	Achse, Hinterrad	
22	12530150/0	2	Rosetta	Washer	Rondelle	Scheibe	

ES

ESL

460 TR

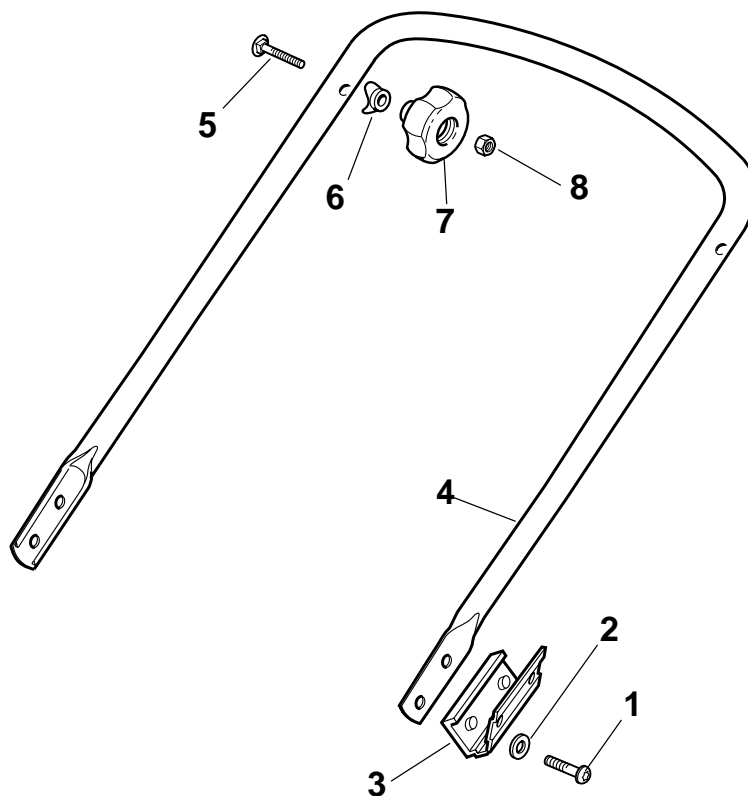
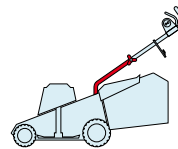


POS.	CODE	Q.TY	DESCRIZIONE	DESCRIPTION	DESCRIPTION	BESCHREIBUNG	REMARKS
1	81002538/0	1	Chassis Rosso	Deck Red	Châssis Rouge	Gehäuse Rot	
2	12155000/0	2	Dado	Nut	Ecrou	Mutter	
3	81000153/0	1	Asse Ruote Anteriore	Axle, Front Wheels	Axe Roues Avant	Achse, Vorderrad	
4	12760600/0	2	Vite	Screw	Vis	Schraube	
5	22131750/0	2	Dado	Nut	Ecrou	Mutter	
6	22600095/0	2	Protezione	Protection	Protection	Schutz	
7	22671651/0	2	Rosetta	Washer	Rondelle	Scheibe	
8	22034508/0	8	Bussola	Bush	Douille	Buchse	
9	22686091/1	2	Ruota Ø 165	Wheel Ø 165	Roue Ø 165	Rad Ø 165	
10	22524341/0	2	Perno	Pin	Pivot	Bolzen	
11	-	2	Coprismozzo	Hub Cap	Couvre-Moyeu	Radkappe	(See Enclosure 1)
12	22033317/0	1	Asta Regolazione	Adjustment Rod	Tige Reglage	Verstellungstange	
13	22120109/0	2	Ruota Dentata	Sprocket	Couronne	Zahnkettenrad	
14	22170622/0	2	Distanziale	Spacer	Entretoise	Distanzring	
15	22686093/0	2	Ruota Ø 190	Wheel Ø 190	Roue Ø190	Rad Ø 190	
16	12523050/0	2	Rosetta	Washer	Rondelle	Scheibe	
17	12735599/0	2	Vite	Screw	Vis	Schraube	
18	-	2	Coprismozzo	Hub Cap	Couvre-Moyeu	Radkappe	(See Enclosure 2)
19	22675100/0	4	Rosetta	Washer	Rondelle	Scheibe	
20	22122200/0	8	Cuscinetto	Bearing	Coussinet	Lager	
21	81000159/0	1	Asse Ruote Posteriori	Axle, Rear Wheels	Axe Roues Arriere	Achse, Hinterrad	

ES

ESL

460 TR

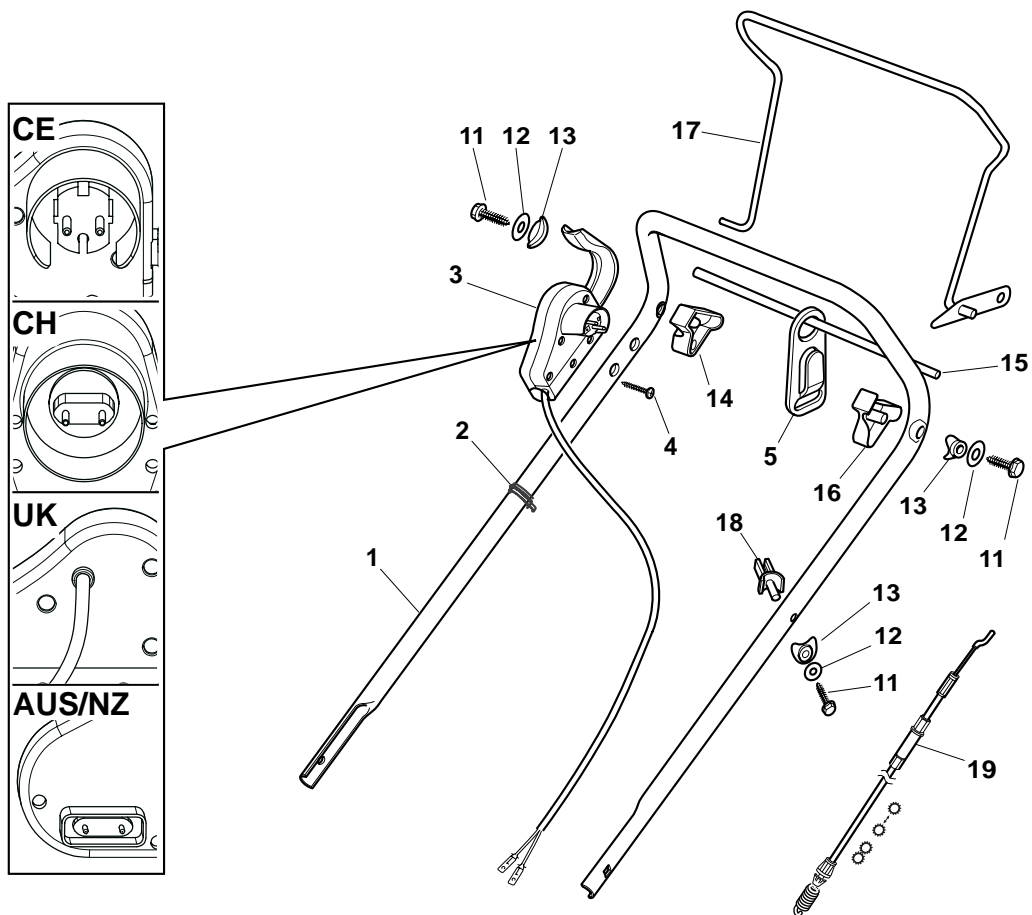
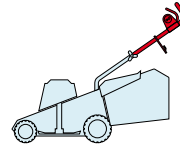


POS.	CODE	Q.TY	DESCRIZIONE	DESCRIPTION	DESCRIPTION	BESCHREIBUNG	REMARKS
1	12760610/0	4	Vite	Screw	Vis	Schraube	
2	22671651/0	4	Rosetta	Washer	Rondelle	Scheibe	
3	22551579/0	2	Piastrina Isolamento	Plate	Plaquette	Platte	
4	81006600/0	1	Manico, Parte Inf	Handle, Lower Part	Mancheron, Partie Inf.	Holm, Unterteil	
5	12819201/0	2	Vite	Screw	Vis	Schraube	
6	22680006/1	2	Rosetta	Washer	Rondelle	Scheibe	
7	322399804/1	2	Manopolina	Knob	Poignée	Griff	
8	12293200/0	2	Dado	Nut	Ecrou	Mutter	

ES

ESL

460 TR

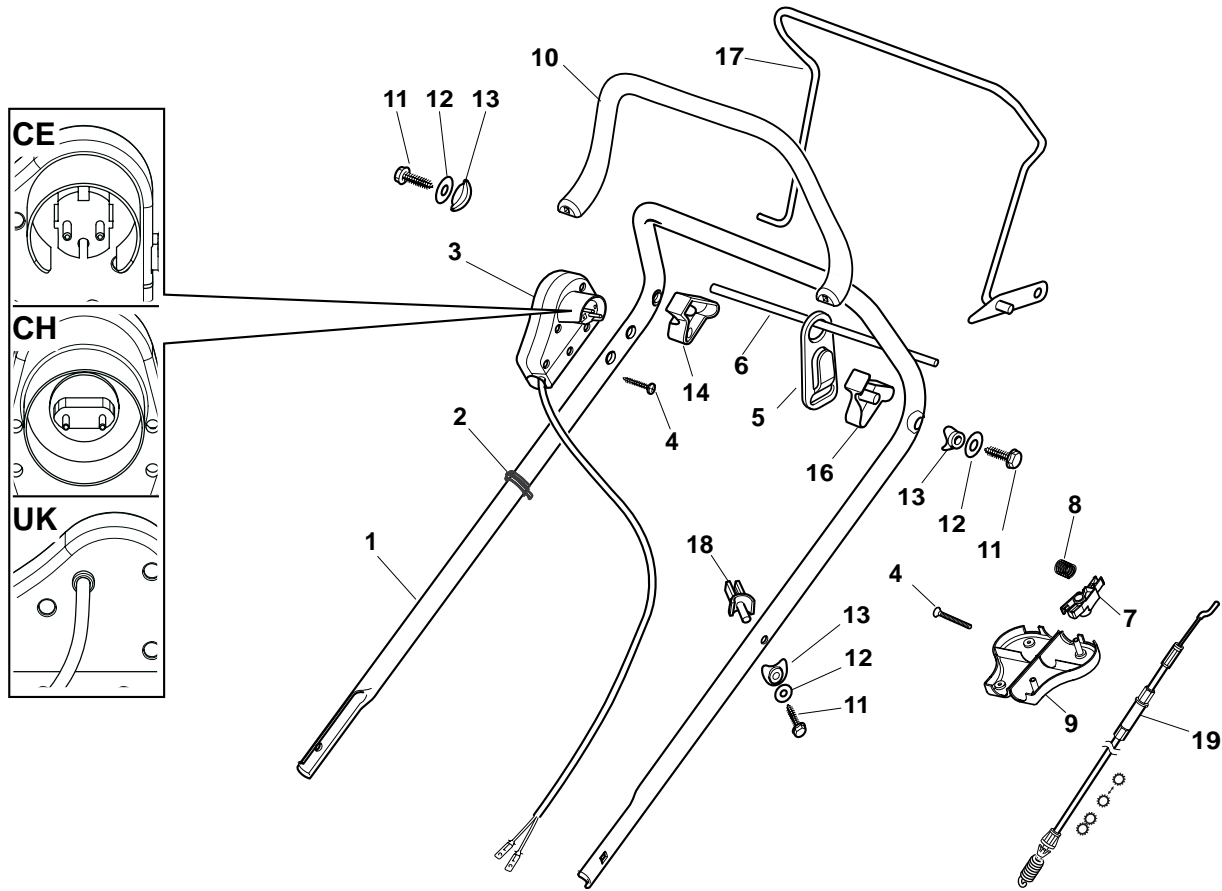
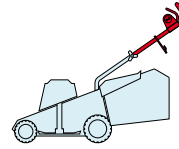


POS.	CODE	Q.TY	DESCRIZIONE	DESCRIPTION	DESCRIPTION	BESCHREIBUNG	REMARKS
1	81006603/0	1	Manico, Parte Sup	Handle, Upper Part	Mancheron, Partie Supérieure	Holm, Oberteil	
2	22192000/1	2	Fascetta	Anchor Clamp	Collier Ancre	Bowdenzughalter	
3	81600500/1	1	Salvatore	Dead Hand Switch	Int. Main Morte	Tot Manschalter	CE
3	81600501/1	1	Salvatore	Dead Hand Switch	Int. Main Morte	Tot Manschalter	CH
3	81600502/1	1	Salvatore	Dead Hand Switch	Int. Main Morte	Tot Manschalter	UK
3	18710628/0	1	Salvatore	Dead Hand Switch	Int. Main Morte	Tot Manschalter	AUS/NZ
4	12728701/0	2	Vite	Screw	Vis	Schraube	
5	22195101/4	1	Fermacavo	Fairlead	Fixation Cable	Kabelbefestigung	
11	12735103/0	3	Vite	Screw	Vis	Schraube	
12	12523040/0	3	Rosetta	Washer	Rondelle	Scheibe	
13	22680006/1	3	Rosetta	Washer	Rondelle	Scheibe	
14	322806518/2	1	Supporto Dx	Support, R	Support D	Halter, Rechter	
15	22020320/0	1	Aggancio	Fairlead Bearing	Support Serrecable	Kabelhalter	
16	322806519/2	1	Supporto Sx	Support, L	Support G	Halter, Linker	
17	81001245/1	1	Leva Trazione	Driving Lever	Levier Traction	Antriebhebel	
18	22806520/0	1	Supporto Registro	Support, Adjuster	Support Ecrou Reg.	Halter, Regler	
19	381000660/0	1	Cavo Comando Trazione	Cable, Rear Drive	Câble, Commande Traction	Kabel, Antrieb	

ES

ESL

460 TR

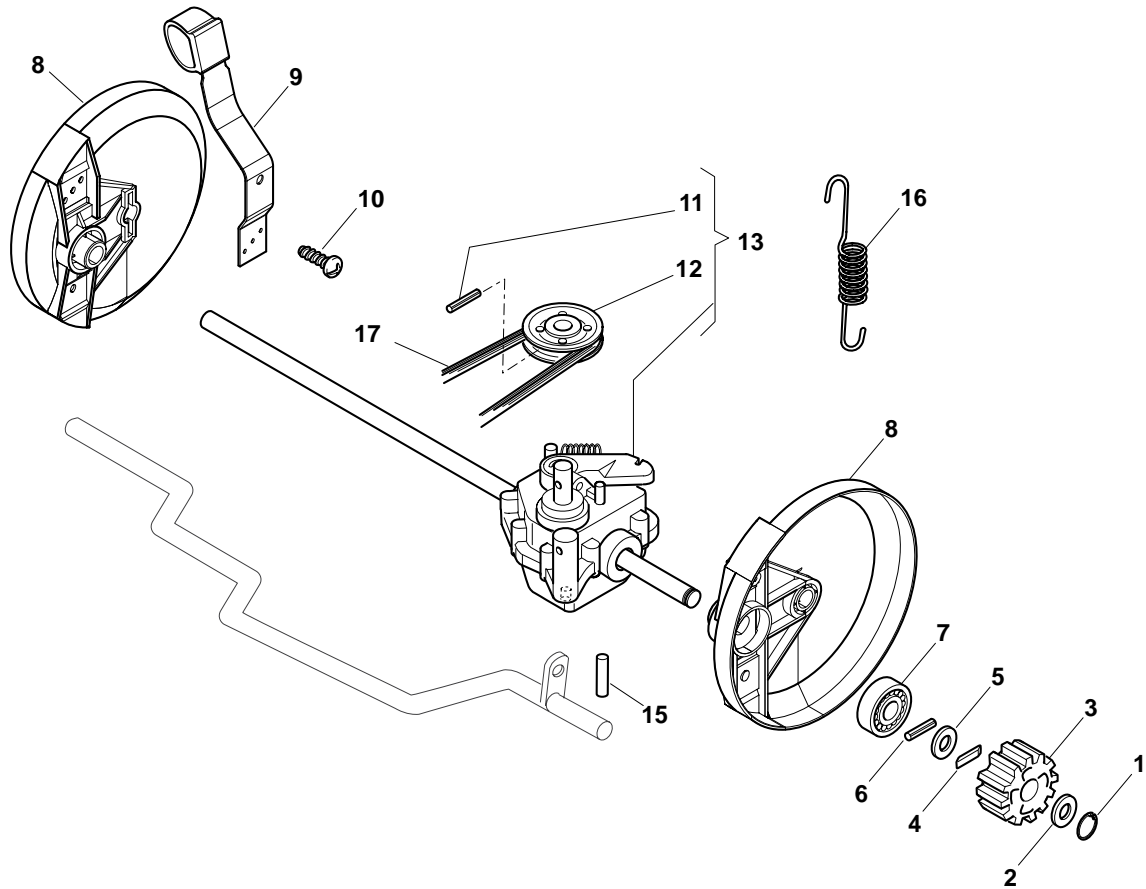
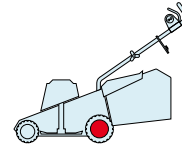


POS.	CODE	Q.TY	DESCRIZIONE	DESCRIPTION	DESCRIPTION	BESCHREIBUNG	REMARKS
1	81006603/0	1	Manico, Parte Sup	Handle, Upper Part	Mancheron, Partie Supérieure	Holm, Oberteil	
2	22192000/1	2	Fascetta	Anchor Clamp	Collier Ancrage	Bowdenzughalter	
3	381600503/2	1	Salvamotore	Dead Hand Switch	Int. Main Morte	Tot Manschalter	CE
3	381600505/2	1	Salvamotore	Dead Hand Switch	Int. Main Morte	Tot Manschalter	UK
3	381600504/2	1	Salvamotore	Dead Hand Switch	Int. Main Morte	Tot Manschalter	CH
4	12728701/0	4	Vite	Screw	Vis	Schraube	
5	22195101/4	1	Fermacavo	Fairlead	Fixation Cable	Kabelbefestigung	
6	22010251/0	1	Asta Aggancio Fermacavo	Rod, Fairlead Bearing	Tige Support Serrecable	Stange, Kabelhalter	
7	322230350/1	1	Fulcro	Fulcrum Pin	Point D'Appui	Gelenkpunkt	
8	22450115/0	1	Molla	Spring	Ressort	Feder	
9	22785144/0	1	Supporto	Support	Support	Halter	
10	322322881/1	1	Leva Freno Motore, Nero	Lever, Engine Brake	Levier Frein Moteur	Hebel, Motorbremse	
10	322322885/1	1	Leva Freno Motore, Giallo	Lever, Engine Brake	Levier Frein Moteur	Hebel, Motorbremse	
11	12735103/0	3	Vite	Screw	Vis	Schraube	
12	12523040/0	3	Rosetta	Washer	Rondelle	Scheibe	
13	22680006/1	3	Rosetta	Washer	Rondelle	Scheibe	
14	322806518/2	1	Supporto Dx	Support, R	Support D	Halter, Rechter	
15	22020320/0	1	Aggancio	Fairlead Bearing	Support Serrecable	Kabelhalter	
16	322806519/2	1	Supporto Sx	Support, L	Support G	Halter, Linker	
17	81001245/1	1	Leva Trazione	Driving Lever	Levier Traction	Antriebhebel	
18	22806520/0	1	Supporto Registro	Support, Adjuster	Support Ecrou Reg.	Halter, Regler	
19	381000660/0	1	Cavo Comando Trazione	Cable, Rear Drive	Câble, Commande Traction	Kabel, Antrieb	

ES

ESL

460 TR

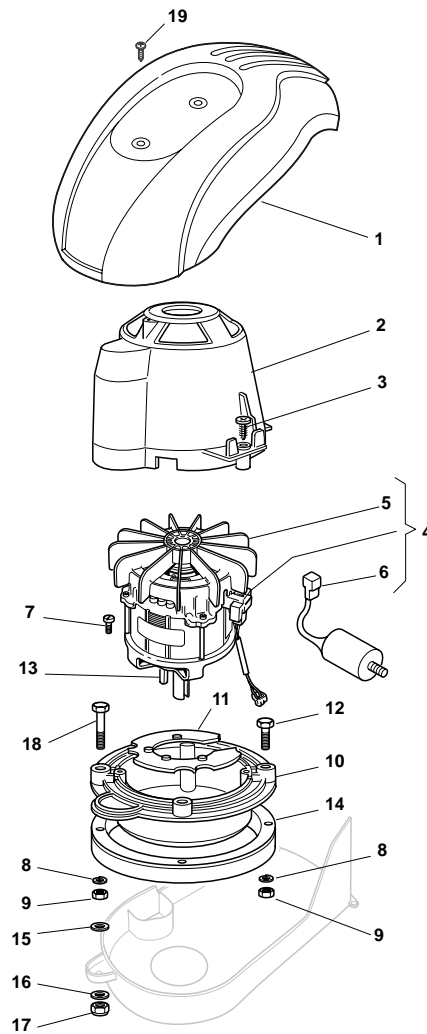
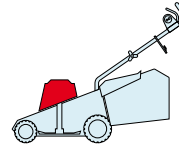


POS.	CODE	Q.TY	DESCRIZIONE	DESCRIPTION	DESCRIPTION	BESCHREIBUNG	REMARKS
1	12608520/0	2	Seeger	Seeger	Seeger	Seeger	
2	22160520/0	2	Disco Parapolvere	Dust Cover	Protege-Poussiere	Staubschuttscheibe	
3	22570125/0	2	Pignone	Pinion	Pignon	Ritzel	
4	22076645/0	2	Chiave	Key	Clef	Schlüssel	
5	22160520/0	2	Disco Parapolvere	Dust Cover	Protege-Poussiere	Staubschuttscheibe	
6	12622620/0	2	Spina	Pin	Goupille	Stift	
7	22122202/0	2	Cuscinetto	Bearing	Coussinet	Lager	
8	22600106/1	2	Prot. Ruote	Protection, Wheel	Protection Roue	Schütz, Räder	
9	81003303/0	1	Leva Regolazione Altezza	Lever, Height Adjustment	Levier Reglage Hauteur	Hebel, Höneverstellung	
10	12728689/0	2	Vite	Screw	Vis	Schraube	
11	12713801/0	1	Grano	Dowel	Grain	Stift	
12	22601909/0	1	Puleggia	Pulley	Poulie	Riemenscheibe	
13	181003093/1	1	Gruppo Trazione	Gear Box	Groupe Traction	Antrieb	
15	22753001/0	2	Spina	Pin	Goupille	Stift	
16	22450438/0	1	Molla	Spring	Ressort	Feder	
17	35063750/0	1	Cinghia	Belt	Courroie	Riemen	

ES

ESL

460 TR

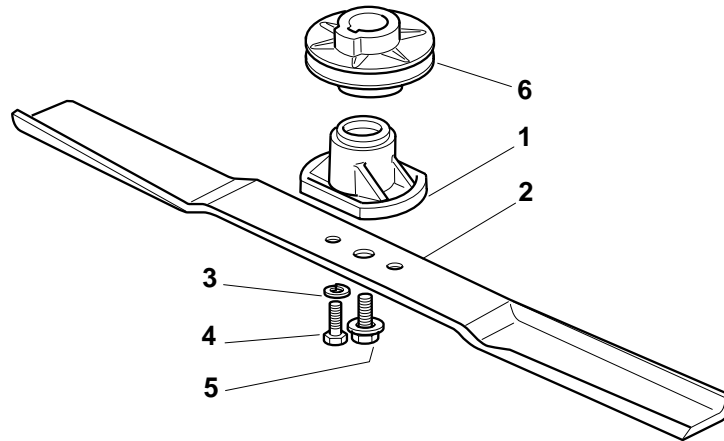
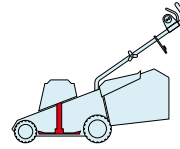


POS.	CODE	Q.TY	DESCRIZIONE	DESCRIPTION	DESCRIPTION	BESCHREIBUNG	REMARKS
1	_	1	Capottina	Cover	Capot	Haube	(See Enclosure 6)
2	22785210/0	1	Supporto Capottina	Support, Cover	Support Capot	Halter, Haube	
3	12728710/0	4	Vite	Screw	Vis	Schraube	
4	118563641/1	1	Motore Atb	Motor Atb	Moteur Atb	Motor Atb	230V (1800W)
5	18740054/0	1	Ventola Per Motore Atb	Fan Motor Atb	Ventilateur Moteur Atb	Lüfter Motor Atb	
6	18222039/0	1	Condensatore 25 µf	Condenser 25 µf	Condenseur 25 µf	Kondensator 25 µf	
7	12735410/0	4	Vite	Screw	Vis	Schraube	
8	12583500/0	4	Grower	Grower	Grower	Federring	
9	12293200/0	4	Dado	Nut	Ecrou	Mutter	
10	322207211/4	1	Flangia	Flange	Bride	Flansch	
11	322720360/2	1	Schermo	Ventilation Screen	Ecran Ventilation	Lüftungschirm	
12	12691800/0	3	Vite	Screw	Vis	Schraube	
13	12139440/0	1	Linguetta	Feather	Clavette	Keil	
14	22170960/1	1	Distanziale	Spacer	Entretoise	Distanzring	
15	22671651/0	1	Rosetta	Washer	Rondelle	Scheibe	
16	12521350/0	1	Rosetta	Washer	Rondelle	Scheibe	
17	12155000/0	1	Dado	Nut	Ecrou	Mutter	
18	12692000/0	1	Vite	Screw	Vis	Schraube	
19	12728680/0	2	Vite	Screw	Vis	Schraube	

ES

ESL

460 TR

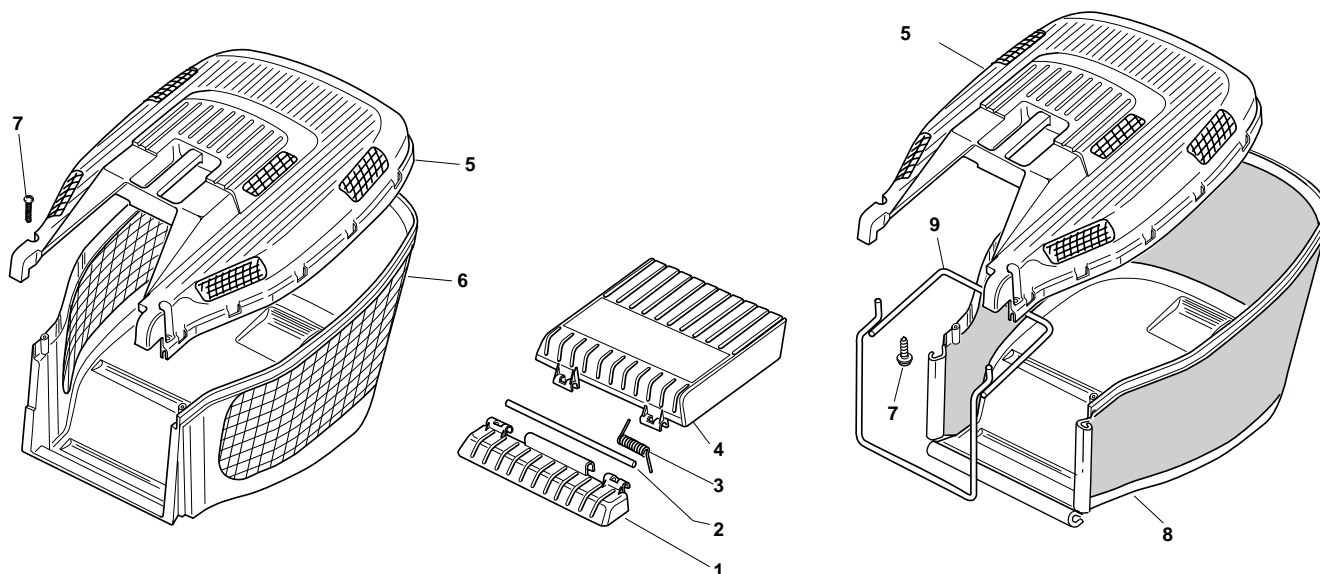
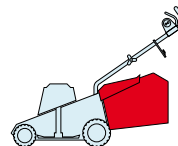


POS.	CODE	Q.TY	DESCRIZIONE	DESCRIPTION	DESCRIPTION	BESCHREIBUNG	REMARKS
1	322463186/3	1	Mozzo	Hub	Moyeu	Halter	
2	81004365/3	1	Coltello	Blade	Lame	Messer	
3	12583500/0	2	Grower	Grower	Grower	Federring	
4	12793101/0	2	Vite	Screw	Vis	Schraube	
5	81004352/0	1	Vite	Screw	Vis	Schraube	
6	22601911/1	1	Puleggia	Pulley	Pouile	Riemenscheibe	

ES

ESL

460 TR



POS.	CODE	Q.TY	DESCRIZIONE	DESCRIPTION	DESCRIPTION	BESCHREIBUNG	REMARKS
1	22785136/1	1	Supporto	Support	Support	Halter	
2	22517858/0	1	Perno	Pin	Pivot	Bolzen	
3	22450431/0	1	Molla	Spring	Ressort	Feder	
4	322600099/1	1	Parasassi	Stone-Guard	Pare-Pierres	Prallblech	
5	22486122/0	1	Parte Sup.Sacco	Grassbox Upper Part	Sac, Partie Superieure	Korb Oberteil	
6	22486128/0	1	Parte Infer. Sacco	Grassbox Lower Part	Sac, Partie Inferieure	Korb Unterteil	
7	12728686/0	2	Vite	Screw	Vis	Schraube	
8	81002229/0	1	Sacco, Tela	Box, Fabric	Sac, Toile	Sack, Tuck	
9	81006419/0	1	Telaio Sacco	Chassis Box	Châssis Bac	Rahmen Sack	